



Greetings Marines, families, and friends,

On behalf of the Commanding Officer, Lieutenant Colonel Melina Mesta, and the rest of the Family Readiness Command Team, I would like to welcome you to 7th Engineer Support Battalion. My name is Megan Stith, and I am privileged to serve Marines, Sailors, and their families as the Battalion's Deployment Readiness Coordinator (DRC).

There are many challenges in today's Marine Corps, and adapting to a military lifestyle can be rewarding as well as stressful. As the DRC, my goal is to support the Family Readiness Program that connects our families and provides education and access to numerous resources that will support you in the challenging days ahead. We will periodically send e-mails to our families on the latest news and services concerning our Marines and Sailors.

We are always seeking family members who wish to volunteer in support of our Marines and Sailors and hope that you will consider being a part of our Family Readiness Team. If you have any questions, please feel free to call me at (760) 725-6101. Again, welcome to the 7th Engineer Support Battalion family. I look forward to serving you in the future.

Sincerely,

Megan Stith

Megan Stith
Deployment Readiness Coordinator
7th Engineer Support Battalion
Office: 760-725-6101
Cell: 760-429-4790
Megan.stith@usmc.mil

HQMC Website:

<https://www.1stmlg.marines.mil/Units/7ESB/>

Unit's Official Facebook

www.facebook.com/7thEngineerSupportBattalion.

7th ESB Spouses and Families Facebook

<https://www.facebook.com/groups/296188793744030/>

Instagram

7th_engineer_support_battalion



ABOUT THE BATTALION

7th ESB Mission Statement:

Provide Marine Air-Ground Task Force (MAGTF) general engineering; provision of tactical utilities support; production and storage of bulk water; handling, storage and distribution of bulk fuel; and Explosive Ordnance Disposal (EOD) support to the Marine Expeditionary Force (MEF).

7th ESB has 12 Core Mission Essential Tasks (METS):

- Conduct Horizontal Construction
- Conduct Vertical Construction
- Provide Task-Organized Forces
- Provide and Maintain Engineering Reconnaissance Operations
- Conduct Tactical Electrical Supply
- Conduct EOD Operations
- Conduct Mobility Operations
- Conduct Counter-Mobility Operations
- Conduct Survivability Operations
- Conduct Tactical Water and/or Hygiene Services
- Provide Engineer Support to Amphibious Operations
- Receive, Store, and Dispense Bulk Fuel

HISTORY OF THE BATTALION

29 September 1950: 7th Engineer Battalion was activated aboard Camp Pendleton and was rapidly built up in preparation for the Korean war.

- Companies included Headquarters & Service, A, B, C, D, Fixed Bridge Platoon, and a Floating Bridge Platoon.
- 7th Engineer Battalion became the training command for all engineers headed overseas to 1st Engineer Battalion in Korea.
- The battalion never received deployment orders to Korea.

October 1955: 7th Engineer Battalion was attached to 1st Marine Logistics Group, and subsequently an Explosive Ordnance Disposal (EOD) Platoon was attached to the battalion, which was mainly used for clearing ranges.

October 1957: When the Santa Margarita River flooded, the battalion was able to exercise its bridging capability by constructing over 300 feet of a M-6 fixed bridge. As a result, the battalion increased the size of the fixed bridge platoon to a formal Bridge Company, with the floating bridge platoon becoming 1st Platoon.



Summer 1965: In June of 1965, Company A attached to the Regimental Landing Team-7 and deployed to the Republic of Vietnam. Soon to follow, in August of 1965, the entire battalion deployed to Da Nang, Republic of Vietnam.

- While deployed, 7th Engineer Battalion supported III Marine Amphibious Force throughout the I Corps Tactical Zone.
- Primary actions of the battalion while deployed focused on water purification, minesweeping construction of non-standard bridges and M-4 aluminum pontoon bridges, as well as the maintenance and upgrading of over 120km of roads.
- In 1966, the battalion constructed a pontoon bridge spanning 1,478 feet over the Da Nang River, the longest ever built.

April 1971: 7th Engineer Battalion was reassigned to the 1st Marine Division and in June, Company A detached and was relocated to 29 Palms, California.

March 1976: 7th Engineer Battalion was re-designated as 7th Engineer Support Battalion (7th ESB) and was reassigned to the newly formed 1st Force Service Support Group (1st FSSG).

April 1983: Bulk Fuel Company and Bridge Company were activated, bringing the battalion up to two Bridge and two Bulk Fuel companies.

December 1990: 7th ESB deployed in force to Saudi Arabia in support of Operation DESERT SHIELD. The battalion participated in all aspects of the offensive operations and returned home to Camp Pendleton April 1991.

December 1992: 7th ESB deployed to Mogadishu, Somalia in support of Operation RESTORE HOPE.

- EOD Company assisted in the recovery and disposal of over 350,000 pounds of ordnance and over two million rounds of ammunition.
- Bulk Fuel Company employed and operated five Amphibious Assault Fuel Systems and one Tactical Airfield Fuel Dispensing System in support of over 26 different nations throughout the operation.
- The battalion's utilities section purified, stored, and provided over three million gallons of drinking water to the coalition forces.

December 1994: One Bridge Company was deactivated and equipment and personnel were redistributed throughout the battalion.

March 1995: Company A was reactivated and returned from 29 Palms.

September 2001: After the attacks on September 11th, 7th ESB attached engineers to the 15th MEU, Task Force-58, and were among the first American forces to enter Afghanistan in support of Operation ENDURING FREEDOM.



January 2003: 7th ESB deployed to Camp Coyote, Kuwait in preparation for Operation IRAQI FREEDOM.

- On 20 March, Companies B and C breached lanes through the Iraqi border obstacle belt in order to allow entry for Task Force Tarawa and Regimental Combat Team-7.
- 7th ESB supported the Marine Expeditionary Force (MEF) through all facets of engineering during the push to Baghdad before redeploying to Kuwait on 16 May 2003.

February 2004: 7th ESB redeployed to Iraq with elements of Headquarters and Service Company, Company A, Support Company, Bulk Fuel Company and EOD Company to assumed the role as Combat Service Support Battalion-1, participating in Operation VIGILANT RESOLVE around Fallujah, aiding in isolating the city in preparation for offensive operations.

February 2006: Contingents of 7th ESB companies formed Combat Logistics Battalion (CLB)-5 and deployed to Fallujah, Iraq.

September 2006: Company B was stood up and assumed the bridging mission of the battalion.

August 2007: EOD Company and Company B deployed personnel to Iraq in support of OIF 6-8.2.

February 2008: The battalion deployed to Fallujah, Iraq in support of OIF 6-8.1 and returned in September 2008.

October 2009: 7th ESB deployed to Camp Leatherneck, Afghanistan in support of OEF.

May 2011: 7th ESB deployed and conducted a relief in place with 9th ESB aboard Camp Leatherneck, Afghanistan for OEF 11.2.

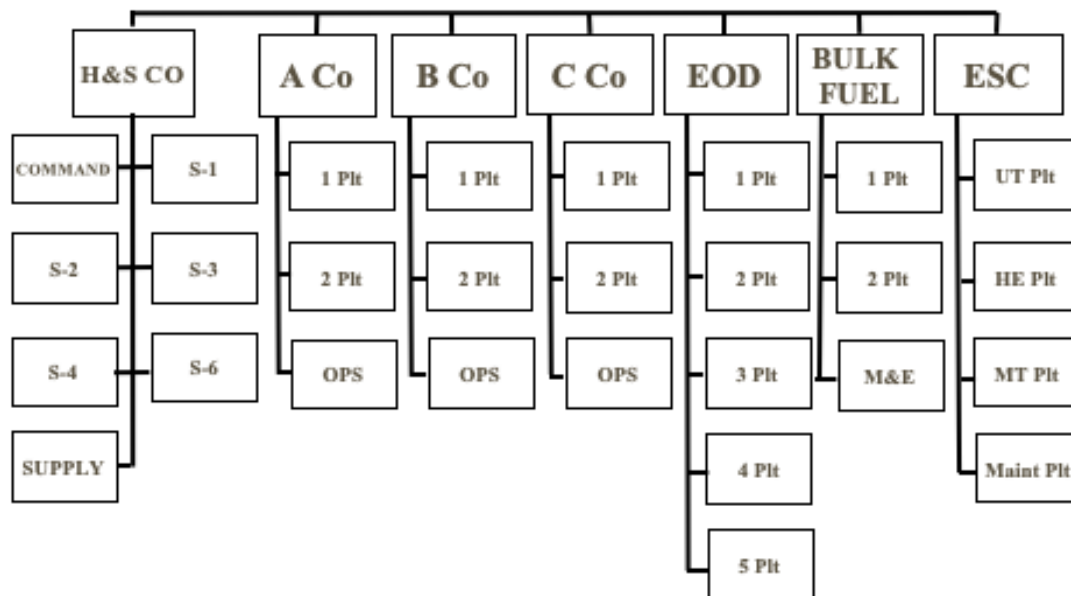
October 2018: Charlie Company was re-activated. While currently on the T/O, deployment commitments result in C Co being unstaffed at this time.

June 2020: Bridge Company was deactivated as part of the Marine Corps force design efforts to create and maintain a competitive edge against any adversary.



STRUCTURE OF THE BATTALION

7th ESB





Single Marines/Sailors

The Single Marine Program offers wholesome fun with fellow Marines and Sailors. The program conducts great outings, weekend trips, and volunteer programs to boost camaraderie and connect with the local community. For more information, call: (760) 725-6288, or visit <http://www.mccscp.com/smp>

Married Marines/Sailors

Base Housing: For any questions regarding base housing, please call (760) 725-5995 or email Family Housing at pndlfamilyhousing@usmc.mil.

Hunt Military Communities:

<http://www.deluzfamilyhousing.com/>

Lincoln Military Housing:

<http://lincolnmilitary.com/installations/camp-pendleton-mcb/>

Marine Corps Family Team Building – (760)725-9052 www.mccsCP.com/mcftb

American Red Cross Women, Infants, and Children (WIC) Program - 1(800)500-6411
www.sandiegowic.org

TRICARE West Region – 1(877)988-9378 www.uhcmilitarywest.com

Families Overcoming Under Stress (FOCUS) Camp Pendleton – (760)859-6079
www.camppendleton@focusproject.org



General Information

Additional information for Camp Pendleton:

http://www.militaryinstallations.dod.mil/MOS/f?p=MI:CONTENT:0::NO::P4_INST_ID,P4_INST_TYPE:400,INSTALLATION

The Military & Family Life Counselor (MFLC) can help-with short-term, non-medical problem-solving counseling that address these and other issues. **760-573-0358**

D Stress – 1(877)476-7734

www.dstressline.com

Volunteering: Volunteering can be very rewarding. You get to help your community, be part of a team, and help others.

<http://www.mccscp.com/volunteer>

Military One Source – 1(800)342-9647 www.militaryonesource.com

Marine Corps Community Services Camp Pendleton: Your one stop shopping for Marine & Family Programs, recreation, shopping, services, food, lodging, and jobs.

<http://www.mccscp.com>

Naval Hospital Camp Pendleton – (760)725-4357 <http://cpen.med.navy.mil>

Information, Tickets & Tours

<http://www.mccscp.com/itt> - (760) 725-5805/5863